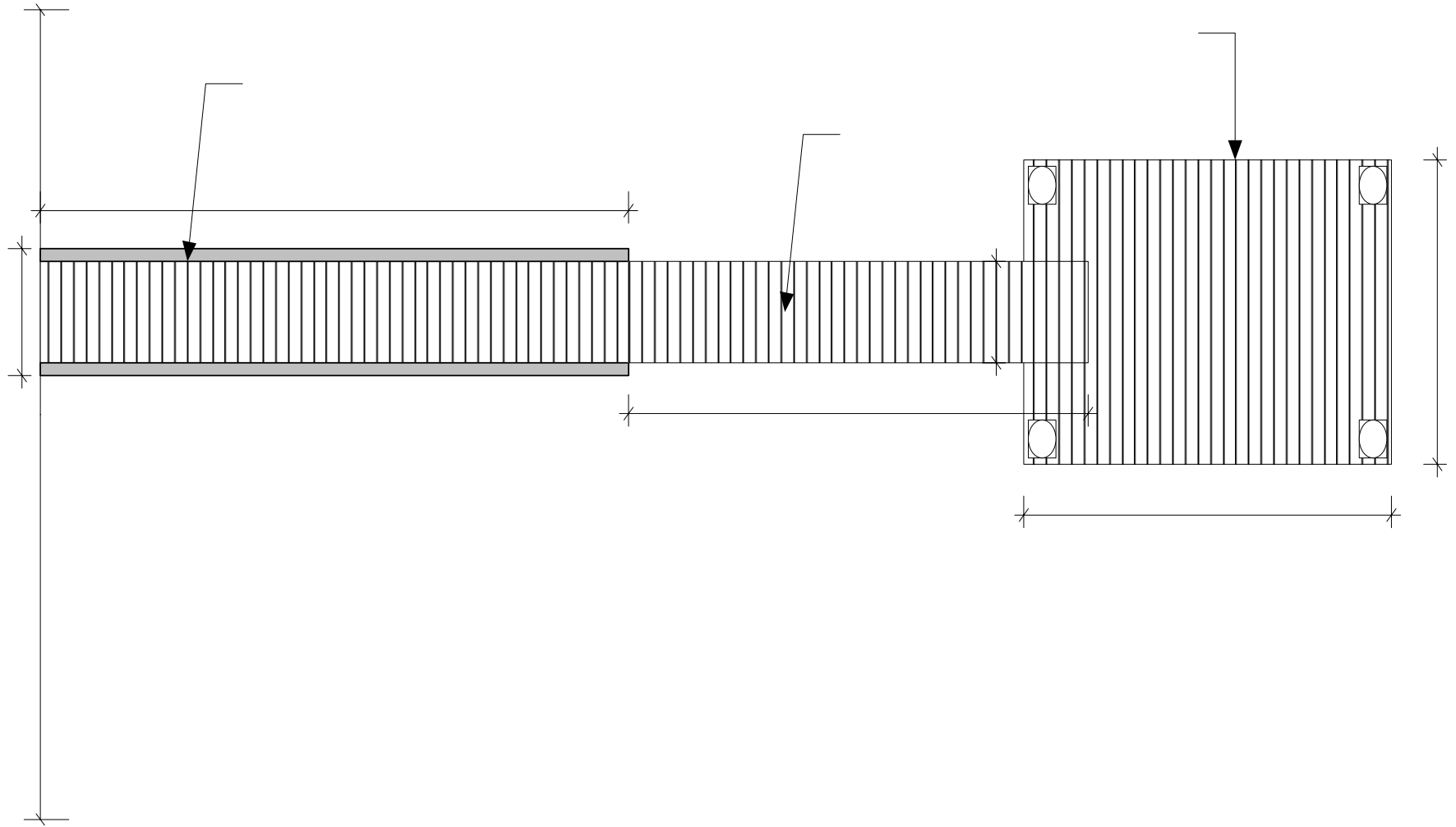
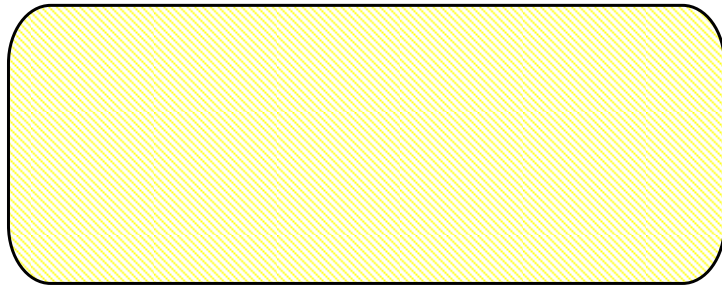


Lake Murray Dock Permitting

Project 516





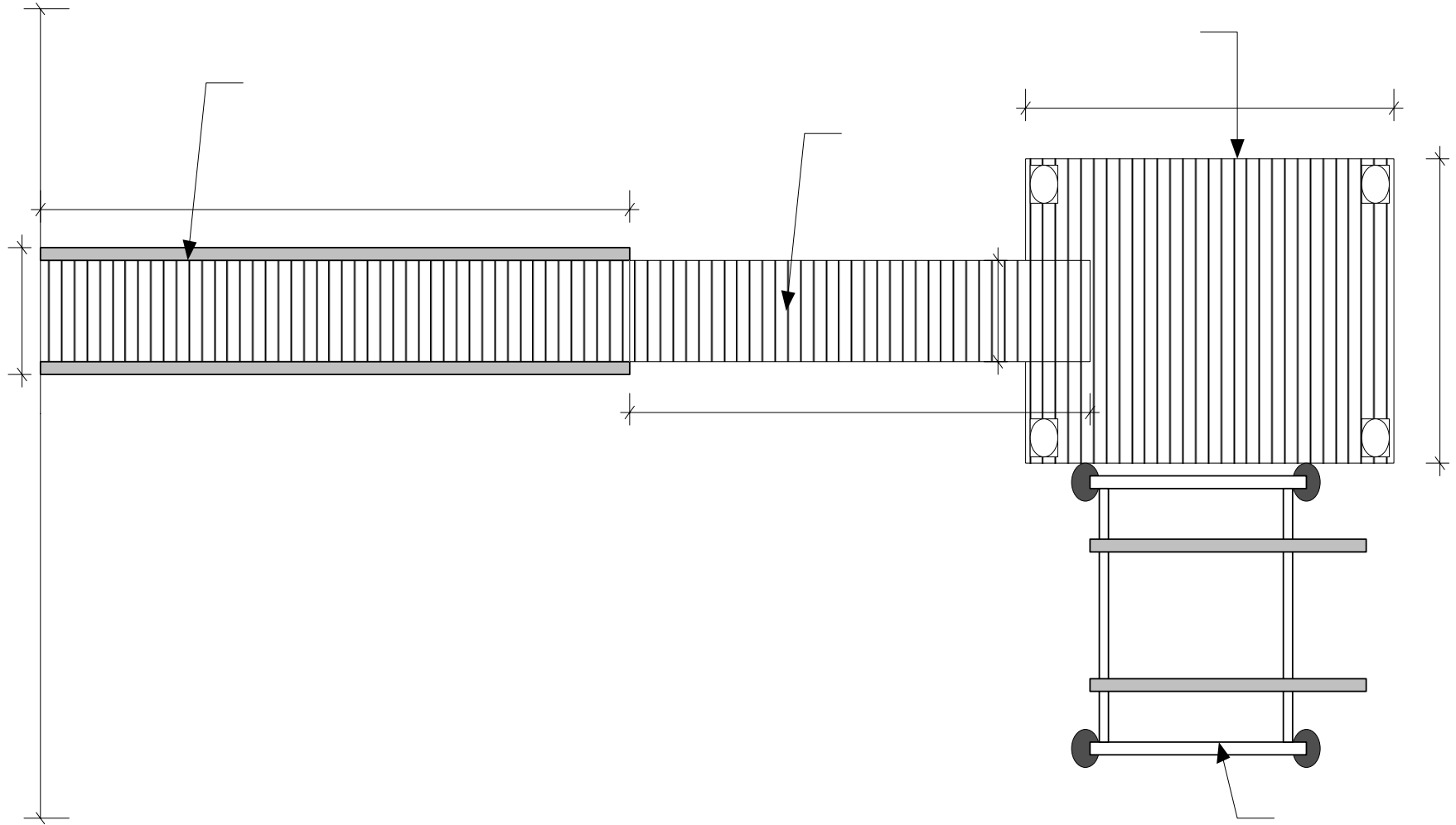
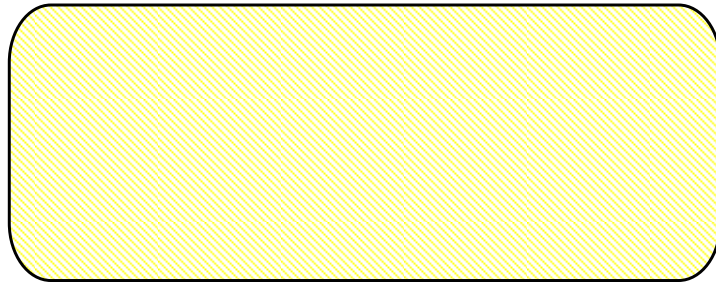
2001 7 17



2001 5 21



2001 9 10

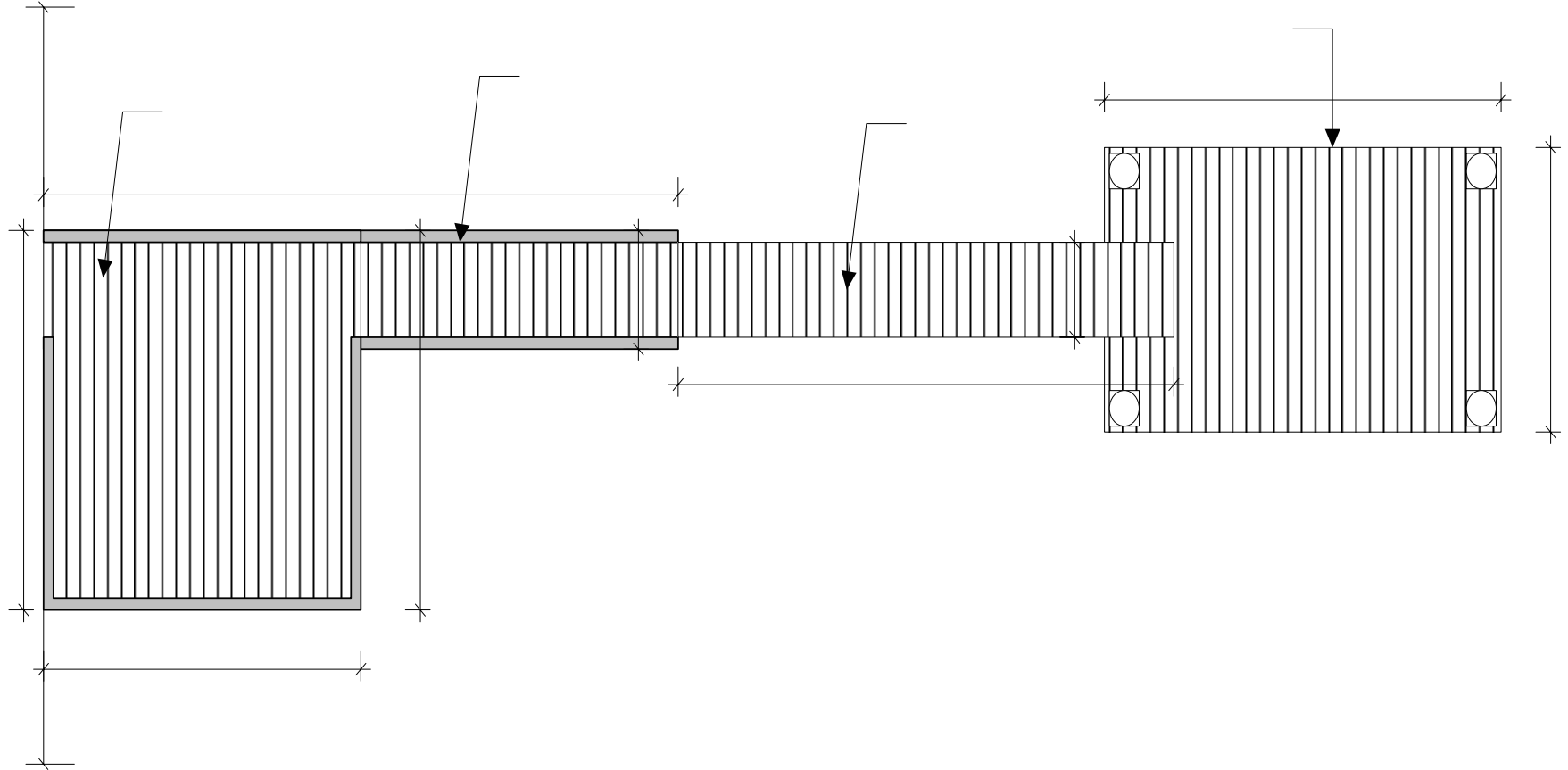
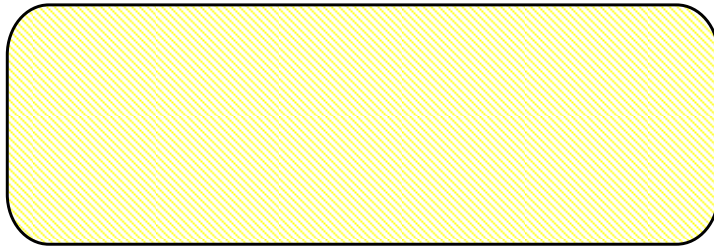




2001 8 27



2001 8 22



TOUR

PLATING AREA



2001 7 31



2001 7 12



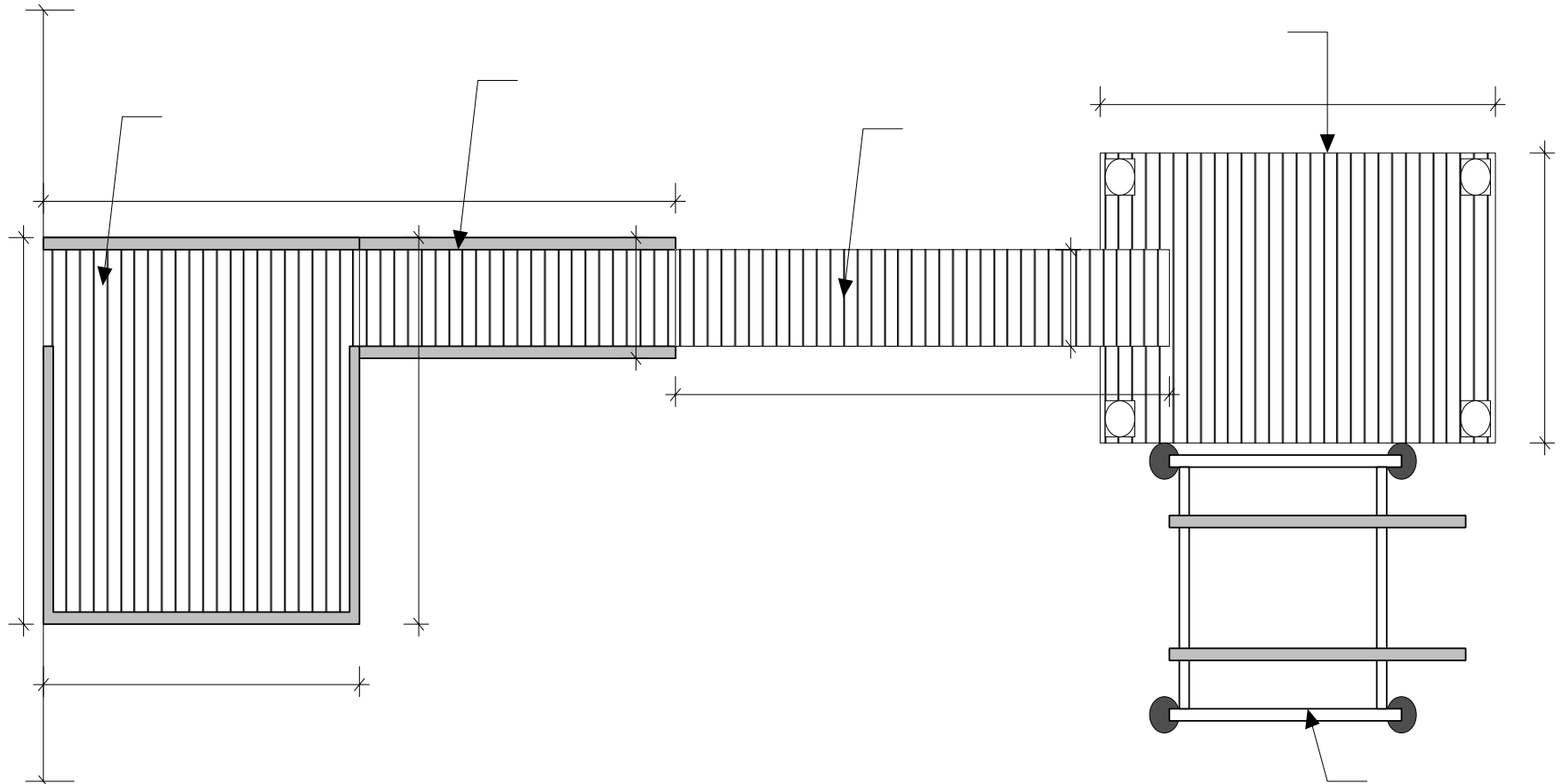
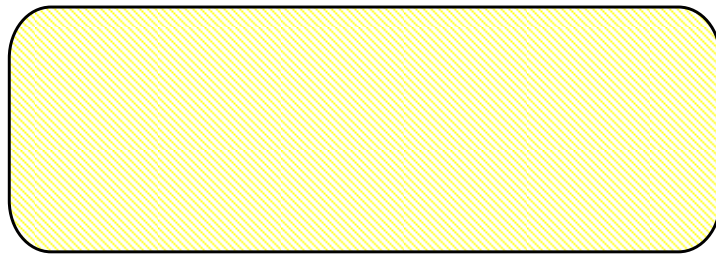
2001 7 31



2001 8 27



2007 7 31



CONTOUR

SEATING AREA



2001 8 27



2001 8 22



2001 7 31



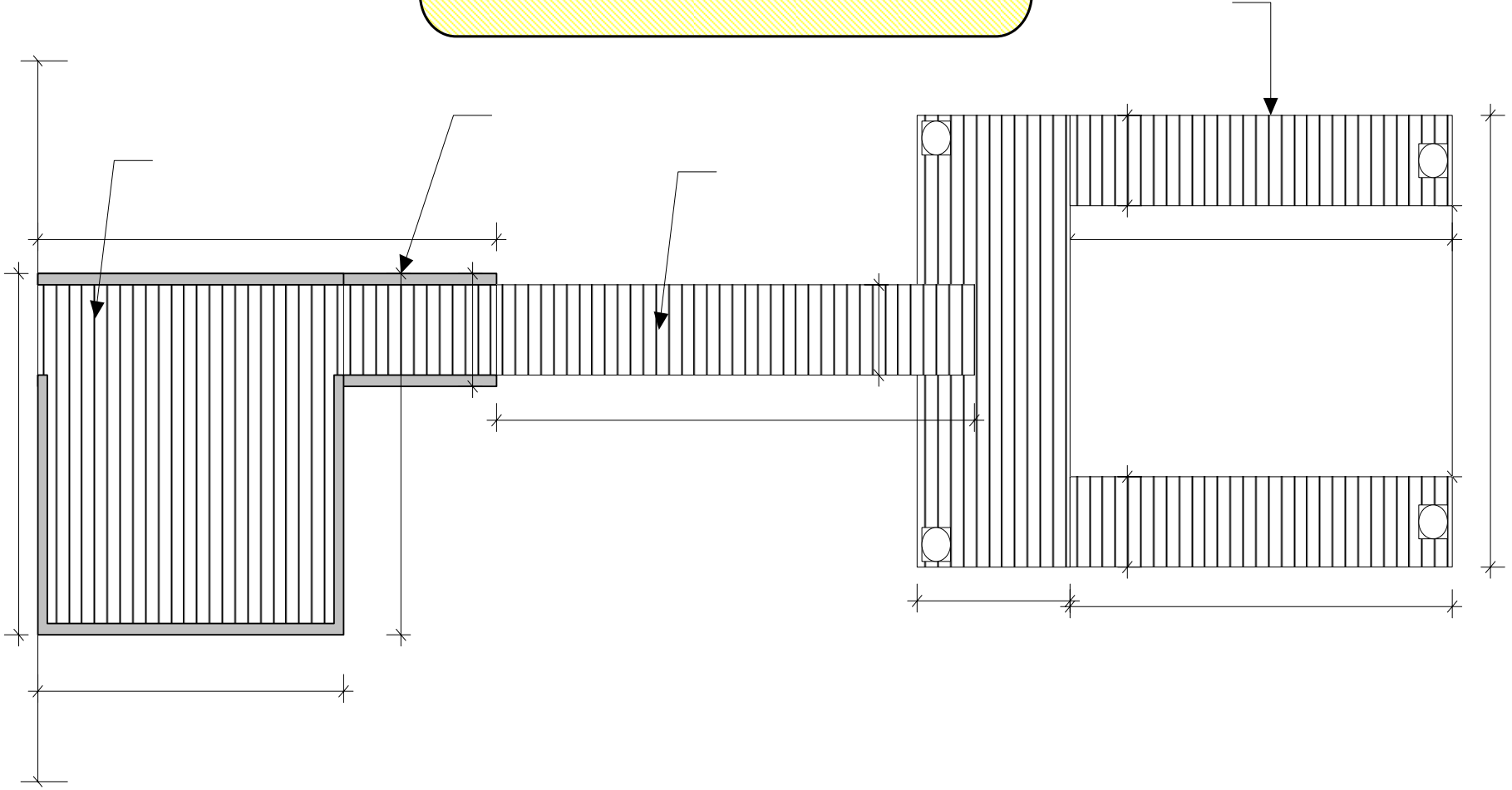
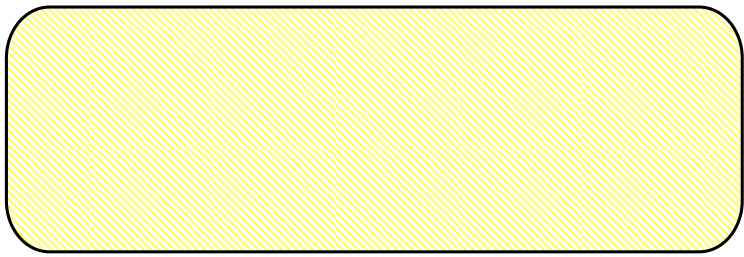
2001 8 22



2001 8 22



2001 7 17

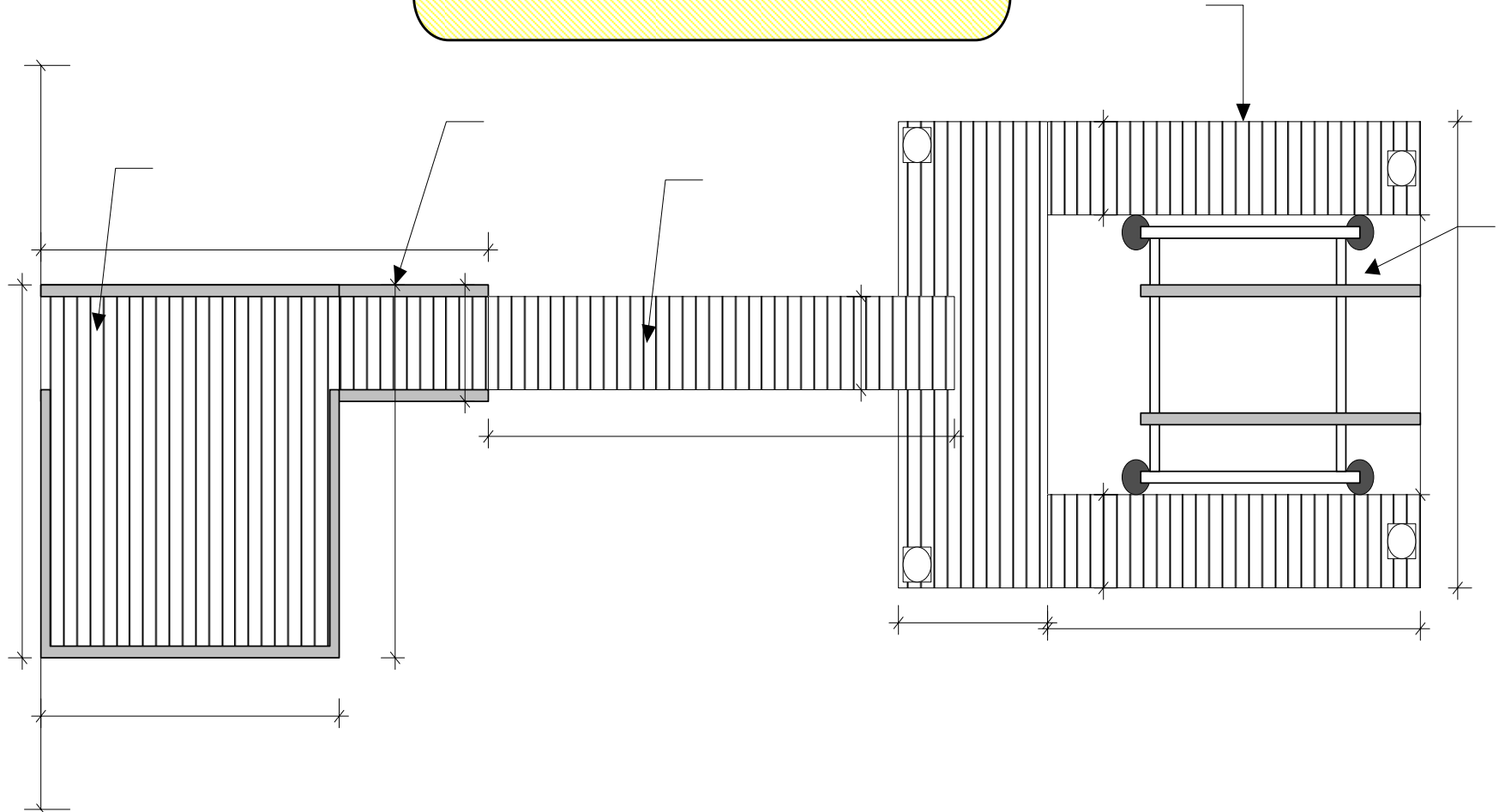
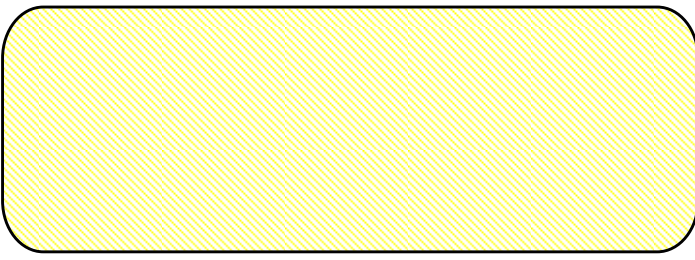


CONTOUR

SEATING AREA



12 12:42 PM



CONTOUR

SEATING AREA

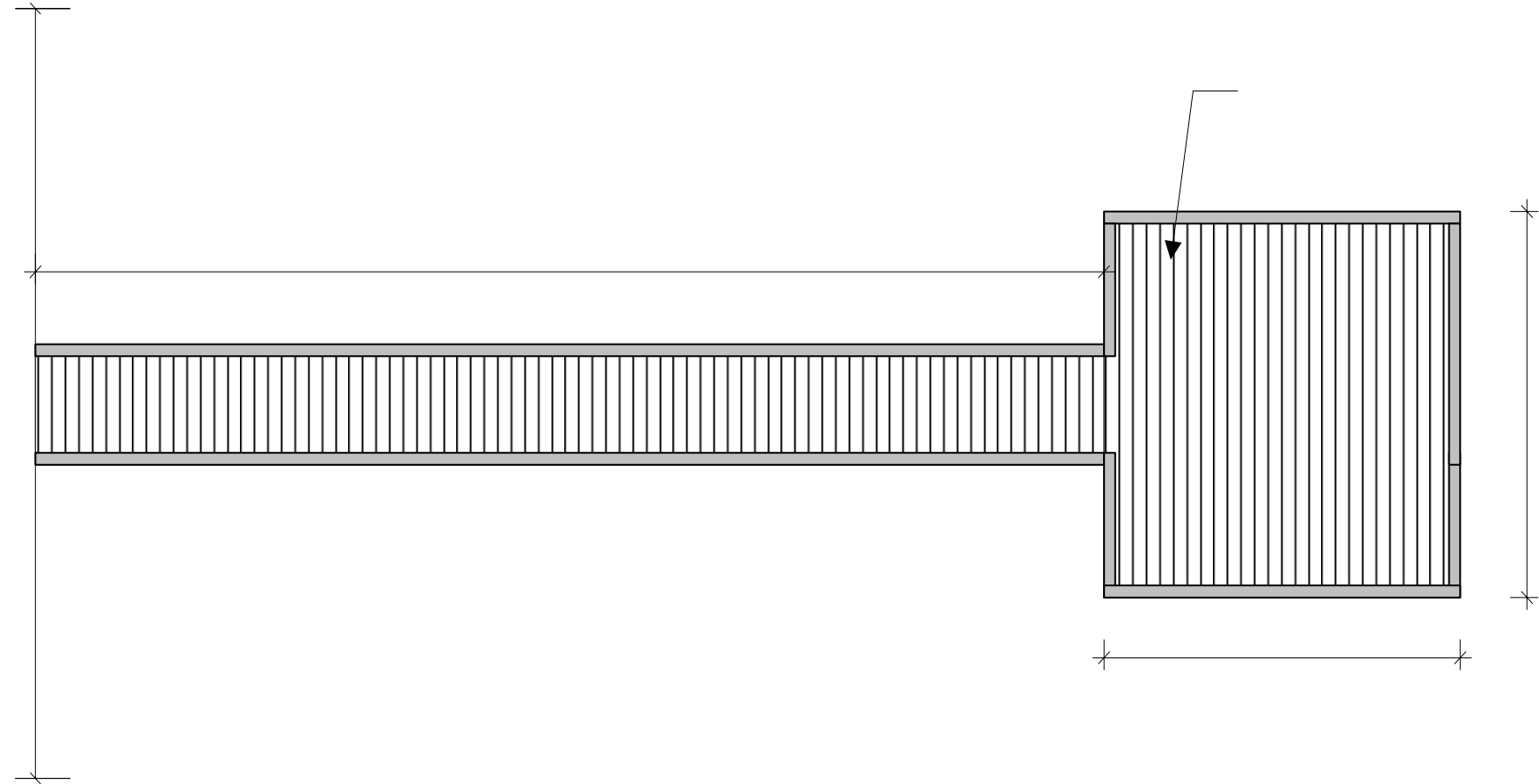
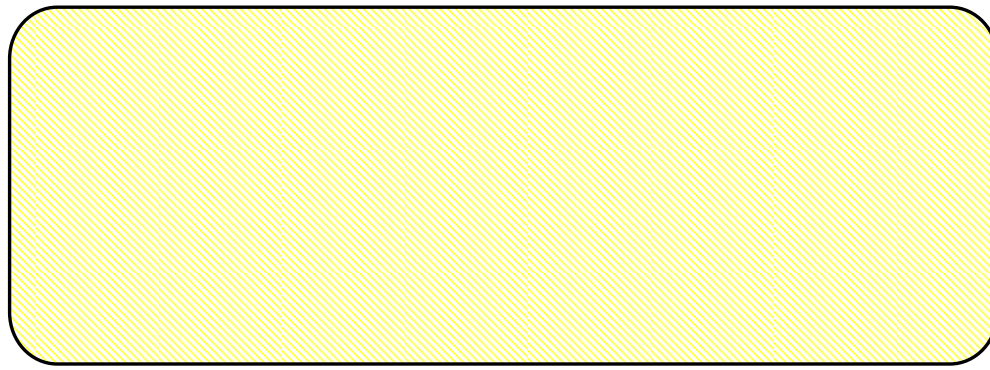
S



5 12:34 PM

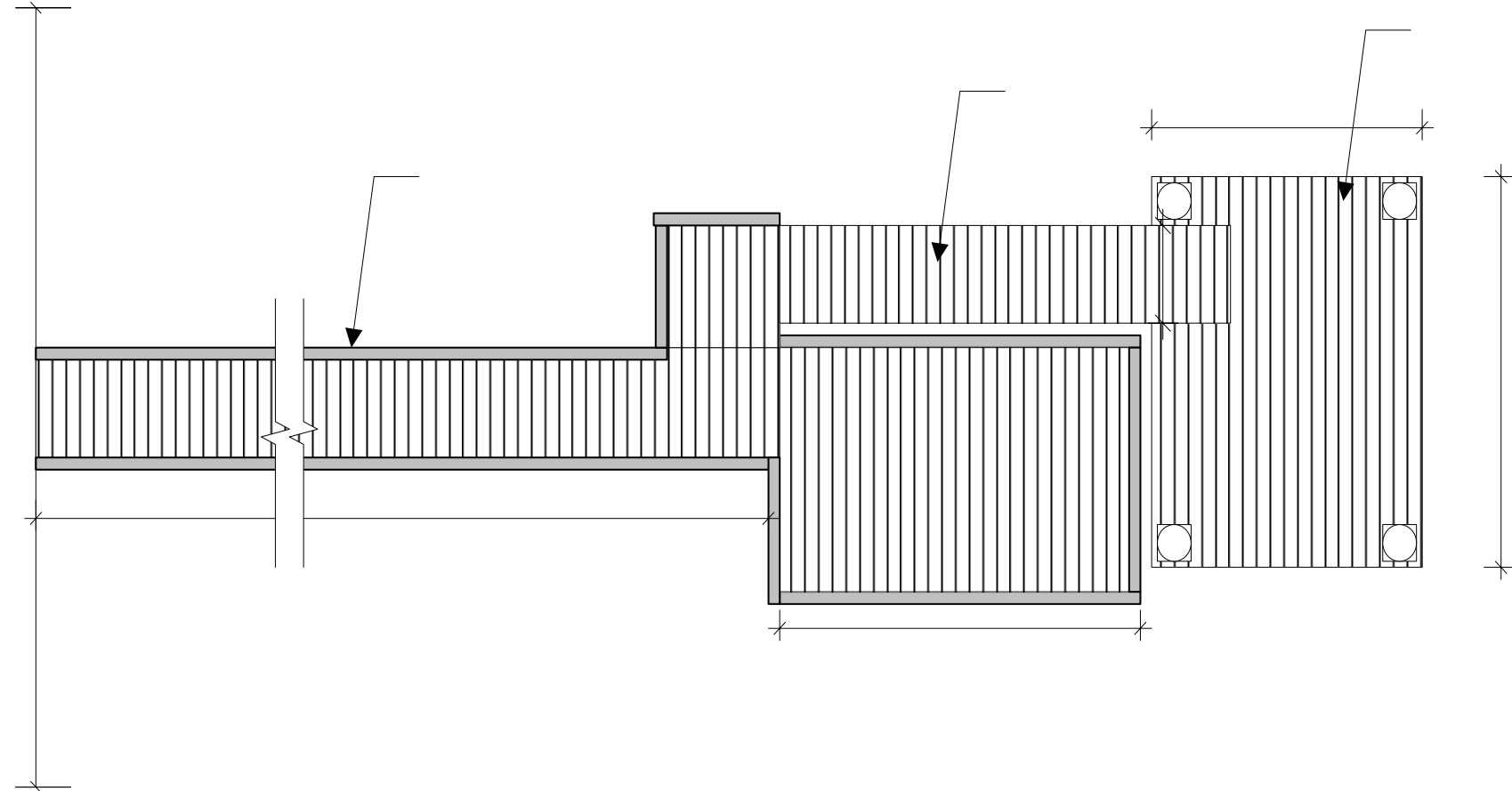
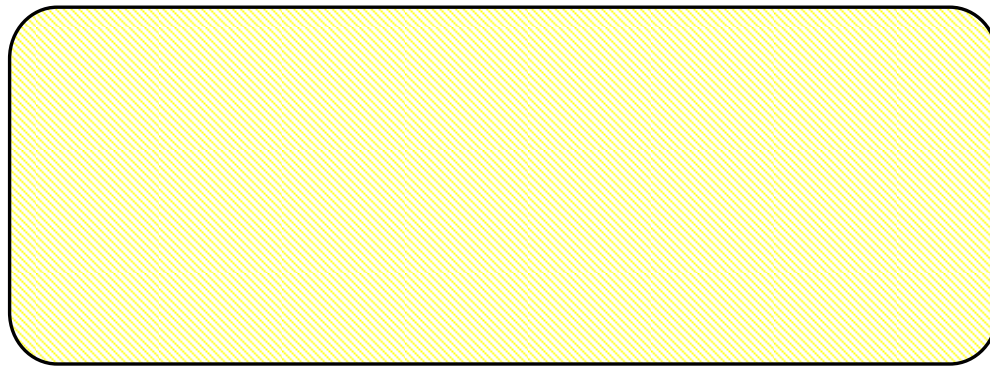


5 10:02 AM





12 12:53 PM



D



812 OLD FORGE RD.

A

10 8:57 AM



2001 8 10



5 9:23 AM